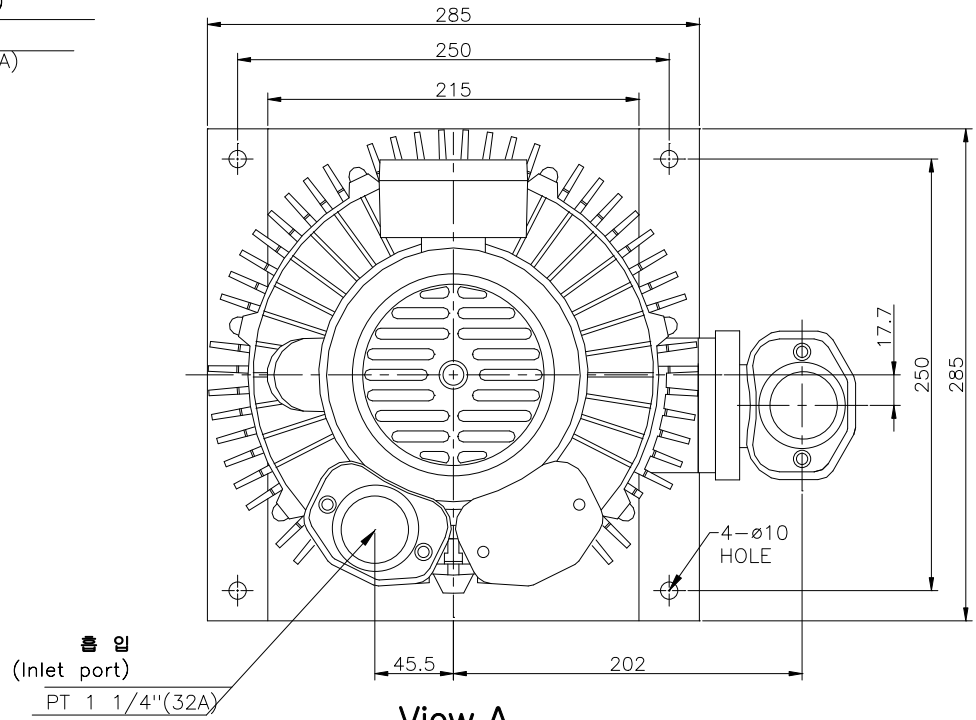
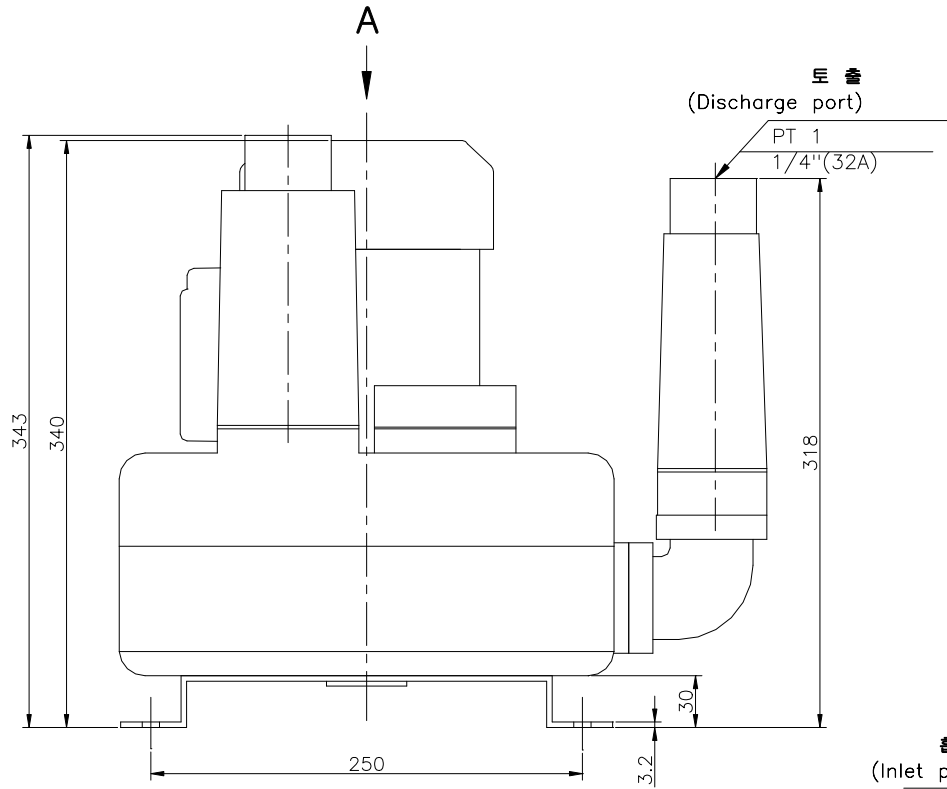


NOTE 1)

No.	PART NAME	MATERIAL	Qt'y	SIZE	REMARK
01					



△							00		
No.	Revision					Date	Draw	Check	Appr.
형식 TYPE	HRBV-102-1			도명 TITLE	OUTWARD DWG.				
DRAWN	DESIGN	CHECKED	APPROVED	3RD ANGLE	SCALE:1/1	UNIT:mm			
B.S.Kim				SIZE	1Ø 2P 0.4Kw				
13.05.08									
黃海電機 HWANG HAE ELECTRIC				도번 DWG. No.	BOD00291			△	

