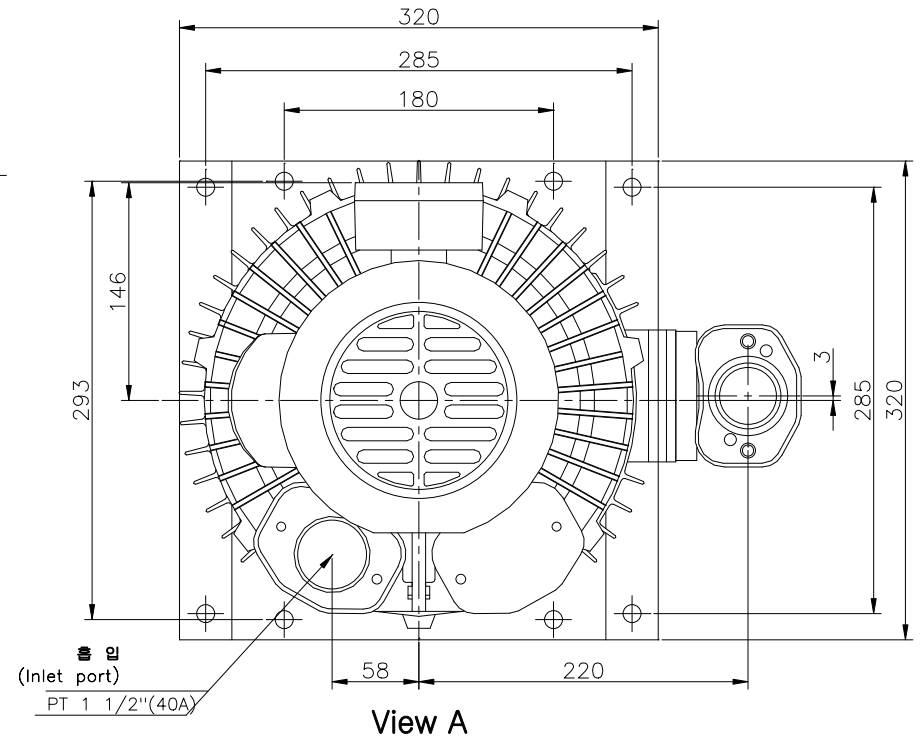
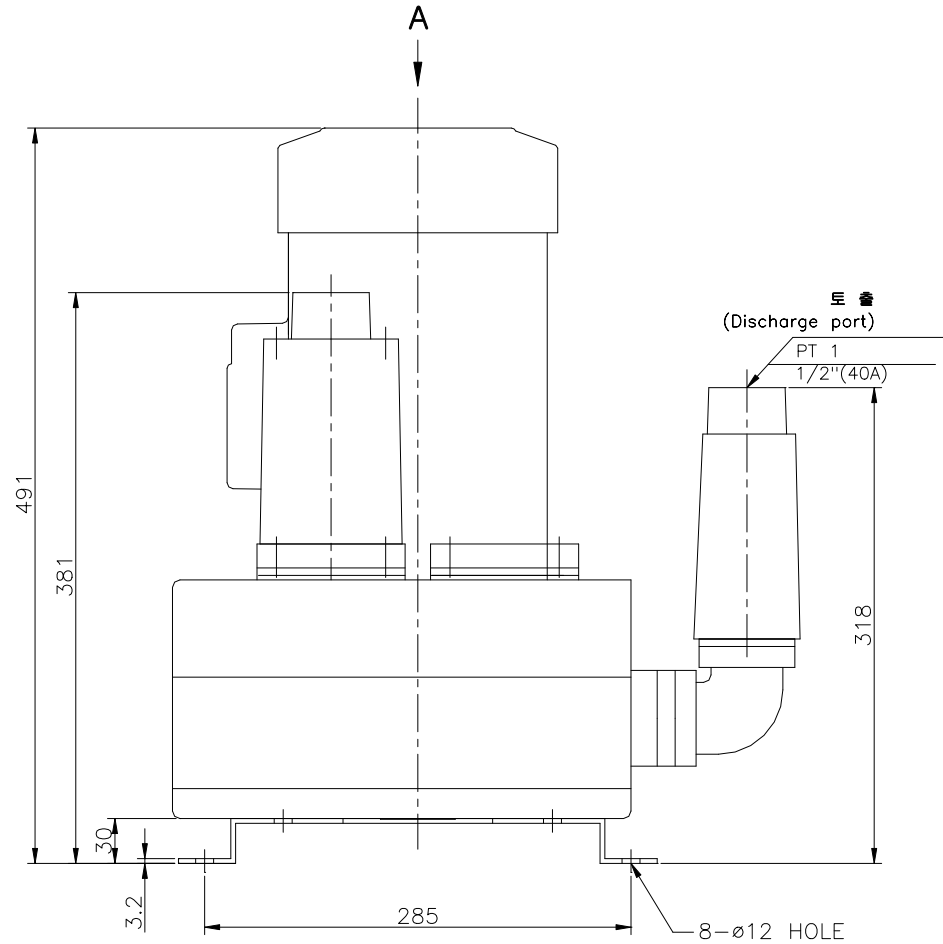


NOTE 1)

No.	PART NAME	MATERIAL	Qt'y	SIZE	REMARK
01					



△						00		
No.	Revision				Date	Draw	Check	Appr.
형식 TYPE	HRBV-402-1			도명 TITLE	OUTWARD DWG.			
DRAWN	DESIGN	CHECKED	APPROVED	3RD ANGLE	SCALE:1/1	UNIT:mm		
B.S.Kim				SIZE	1Ø 2P 2.2Kw			
09.09.01				도번 DWG. No.	BOD00052			△
黃海電機 HWANG HAE ELECTRIC								

