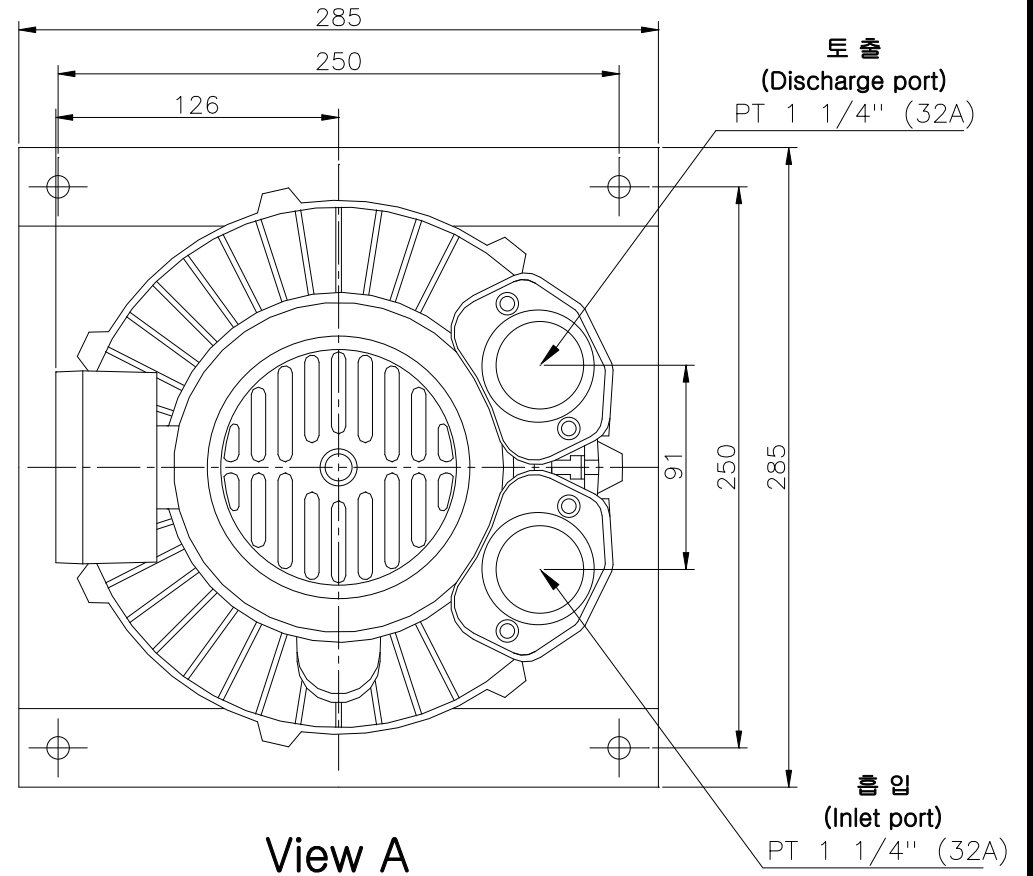
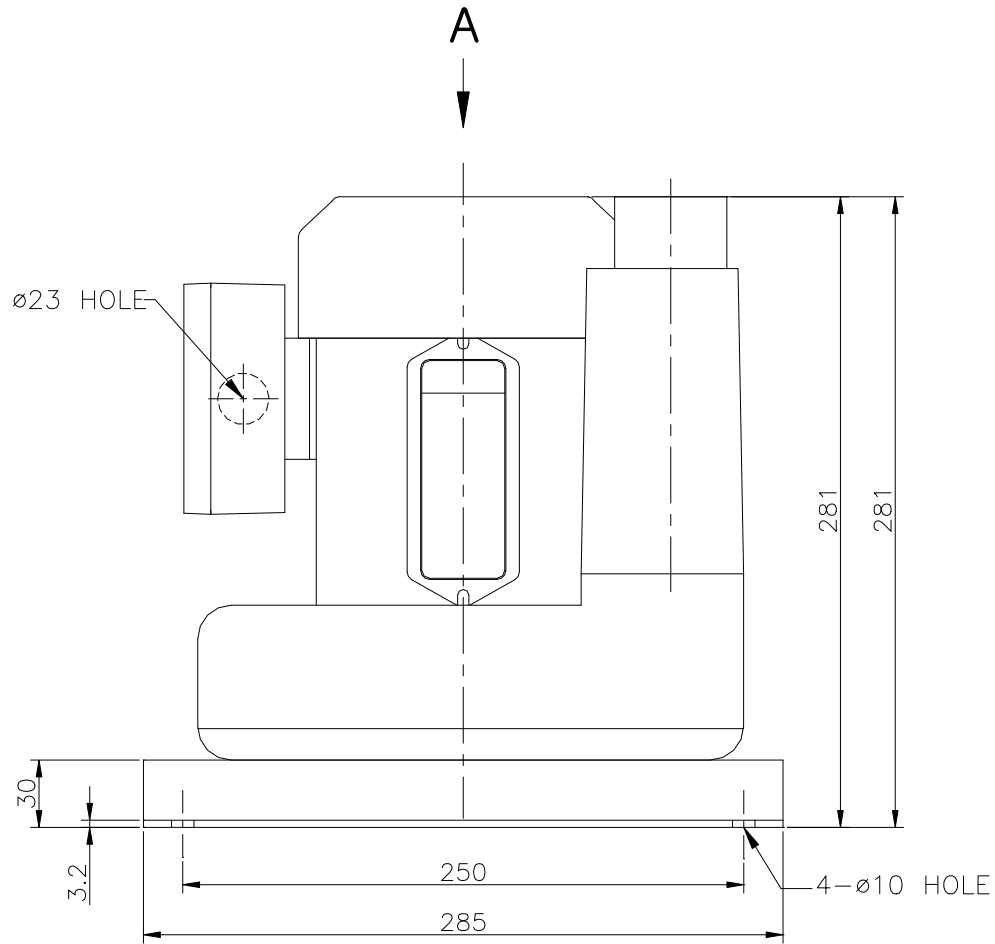



NOTE 1)



View A

△		00						
No.	Revision			Date	Draw	Check	Appr.	
형식 TYPE	HRBV-101			도명 TITLE	OUTWARD DWG.			
DRAWN	DESIGN	CHECKED	APPROVED	3RD ANGLE	SCALE:1/1	UNIT:mm		
B.S.Kim				SIZE	1Ø 2P 0.4Kw			
13.05.08								
 黃海電機 HWANG HAE ELECTRIC				도번 DWG. No.	BOD00290		△	

