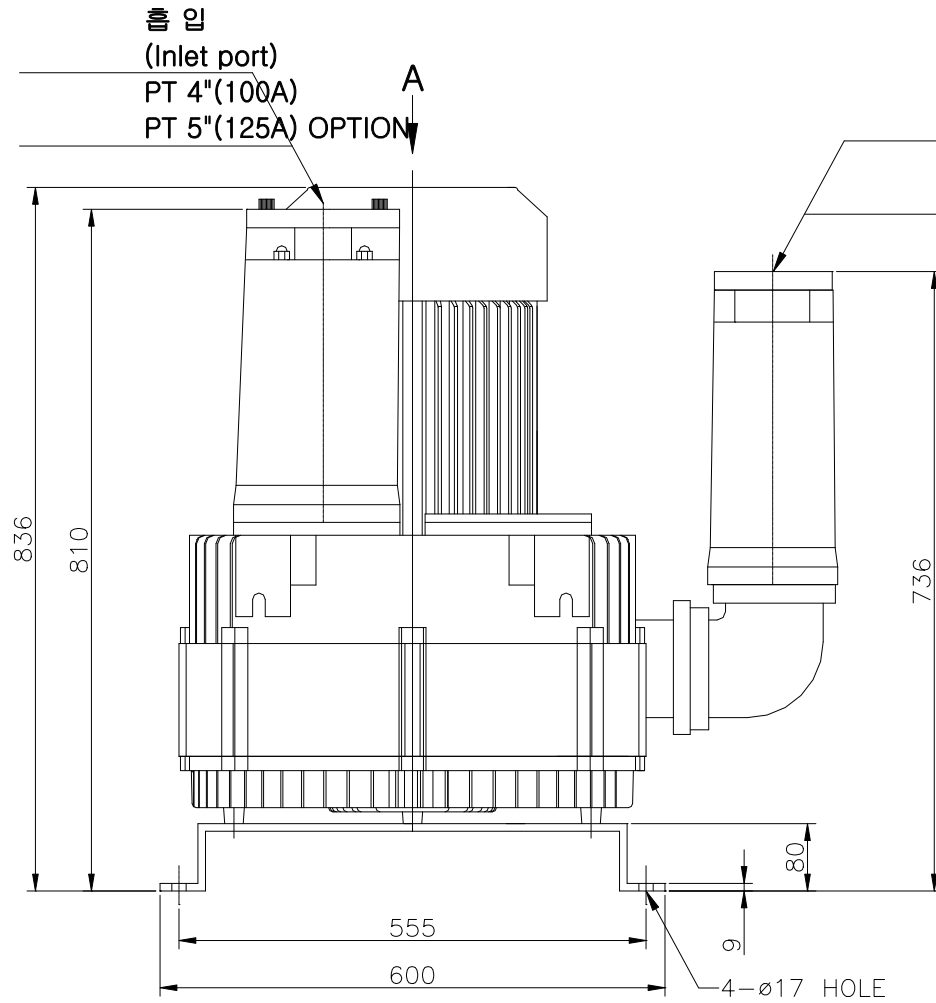
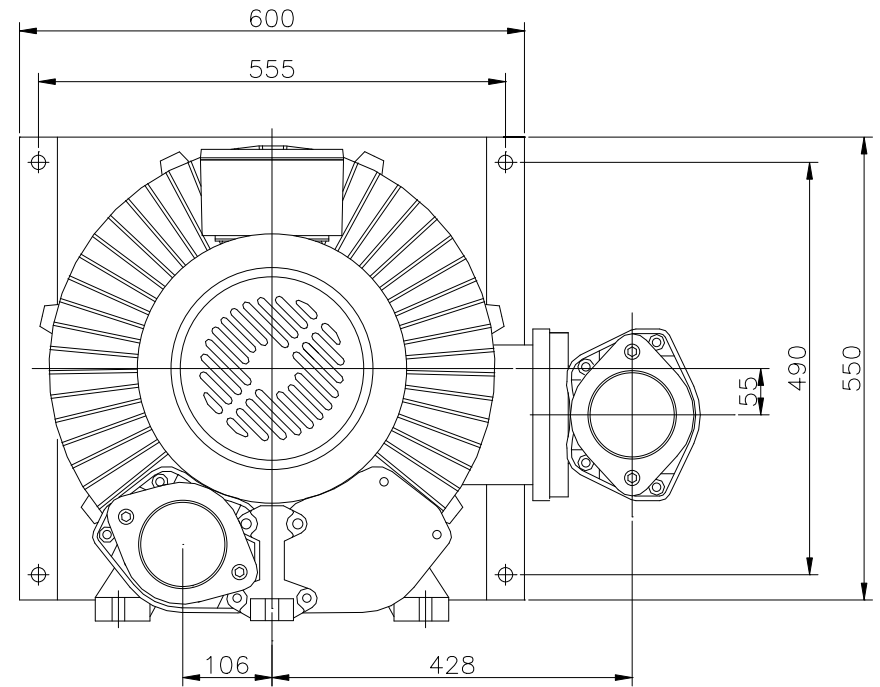


NOTE 1)

No.	PART NAME	MATERIAL	Qt'y	SIZE	REMARK
01					



토출
(Discharge port)
PT 4"(100A)
PT 5"(125A) OPTION



View A

△				00					
No.	Revision			Date	Draw	Check	Appr.		
형식 TYPE	HRBV-1302		도명 TITLE	OUTWARD DWG.					
DRAWN	DESIGN	CHECKED	APPROVED	3RD ANGLE	SCALE:1/1	UNIT:mm			
B.S.Kim				SIZE	3Ø 2P 15.5Kw				
09.06.30									
黃海電機 HWANG HAE ELECTRIC				도번 DWG. No.	BOD00121			△	

