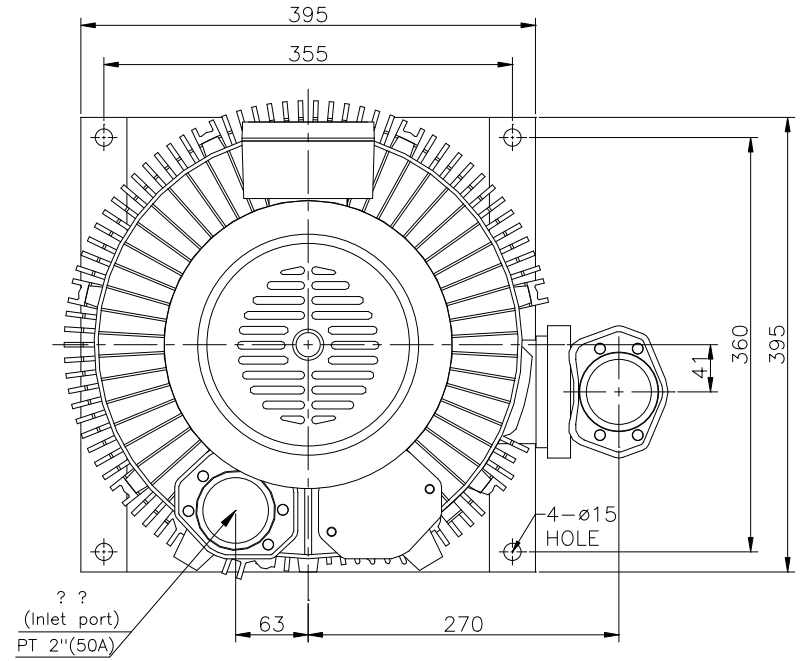
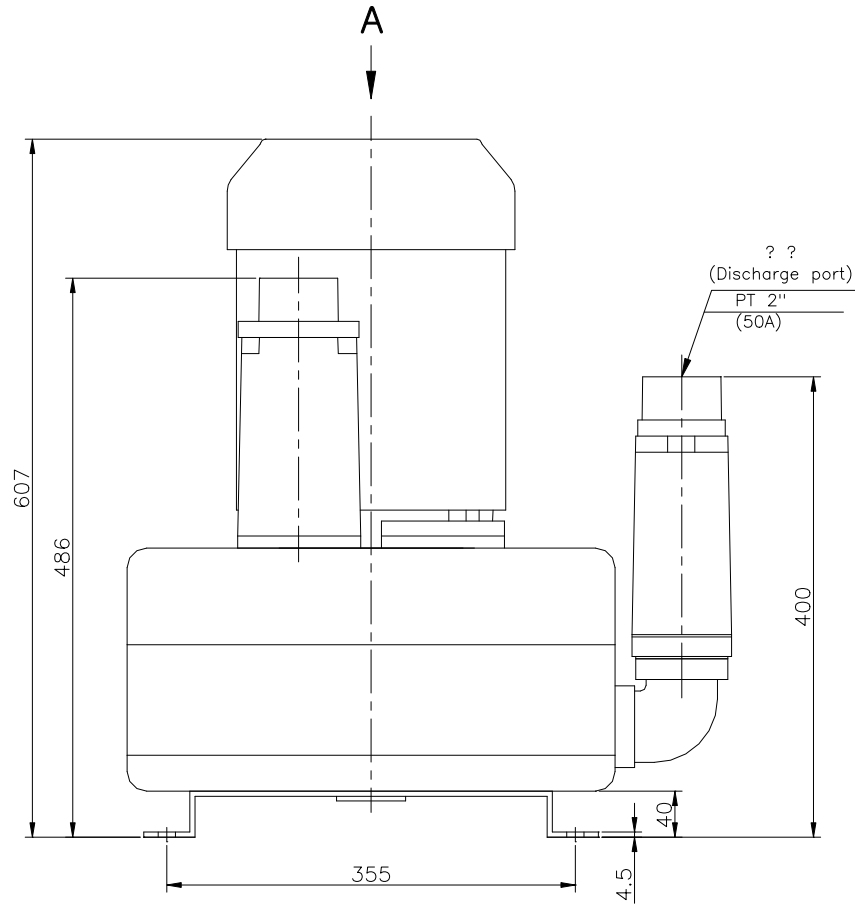


NOTE 1)

No.	PART NAME	MATERIAL	Qt'y	SIZE	REMARK
01					



View A

△		Revision			00		Date	Draw	Check	Appr.
No.					Date	Draw	Check	Appr.		
형식 TYPE	HRBV-902				도명 TITLE	OUTWARD DWG.				
DRAWN	DESIGN	CHECKED	APPROVED	3RD ANGLE	SCALE:1/1	UNIT:mm				
B.S.Kim					SIZE	3Ø 2P 6.3Kw				
10.01.07										
黃海電機 HWANG HAE ELECTRIC				도번 DWG. No.	BOD00091					

