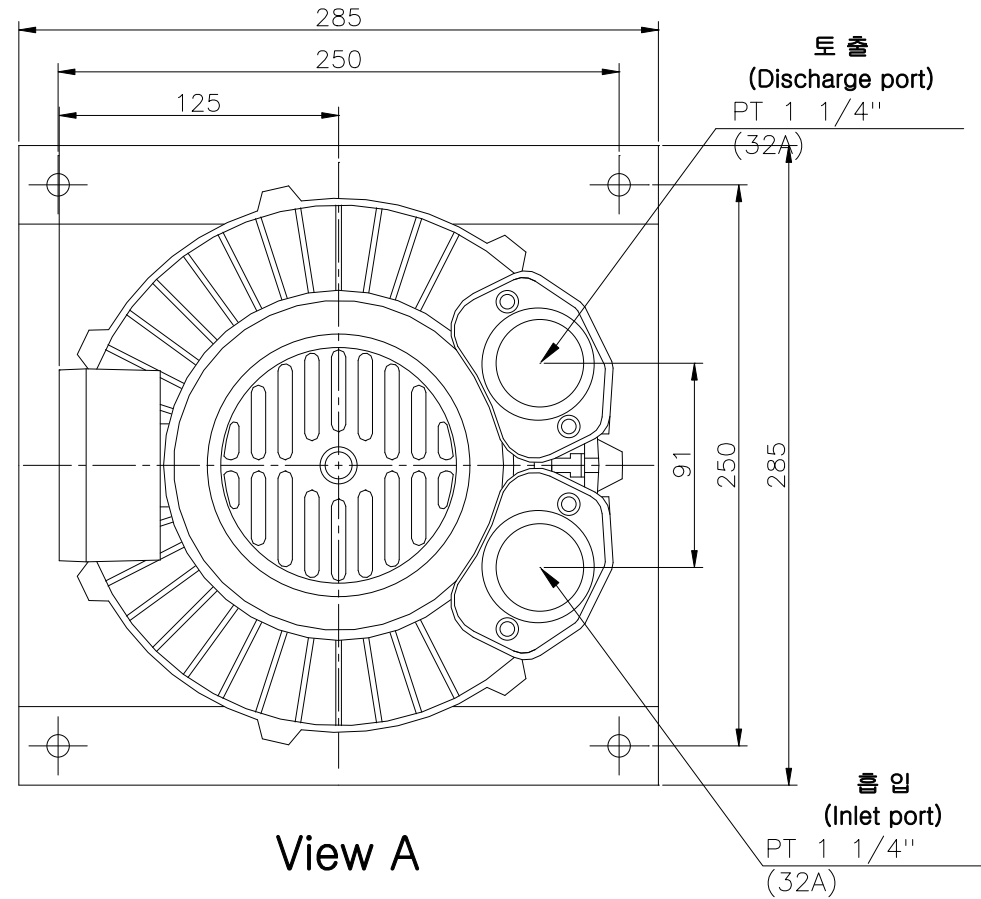
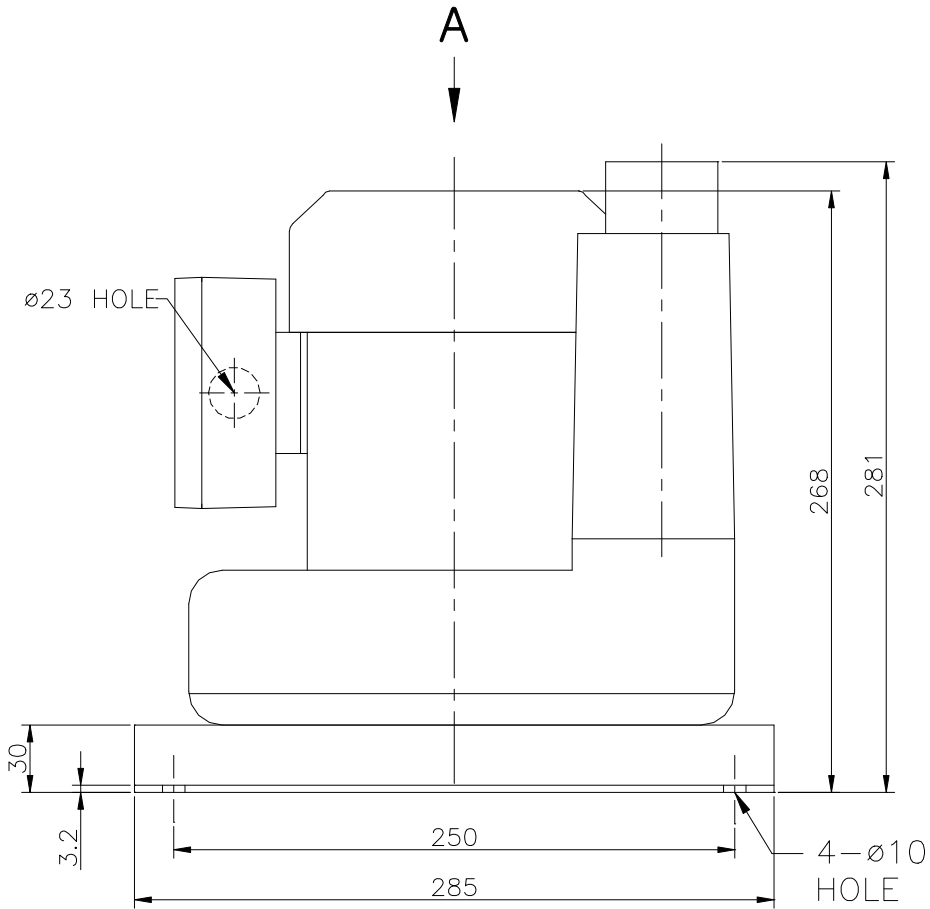



NOTE 1)



View A

△						00		
No.	Revision				Date	Draw	Check	Appr.
형식 TYPE	HRBV-100			도명 TITLE	OUTWARD DWG.			
DRAWN	DESIGN	CHECKED	APPROVED	3RD ANGLE	SCALE:1/1	UNIT:mm		
B.S.Kim				SIZE	3Ø 2P 0.5Kw			
13.04.30								
 黃海電機 HWANG HAE ELECTRIC				도번 DWG. No.	BOD00289		