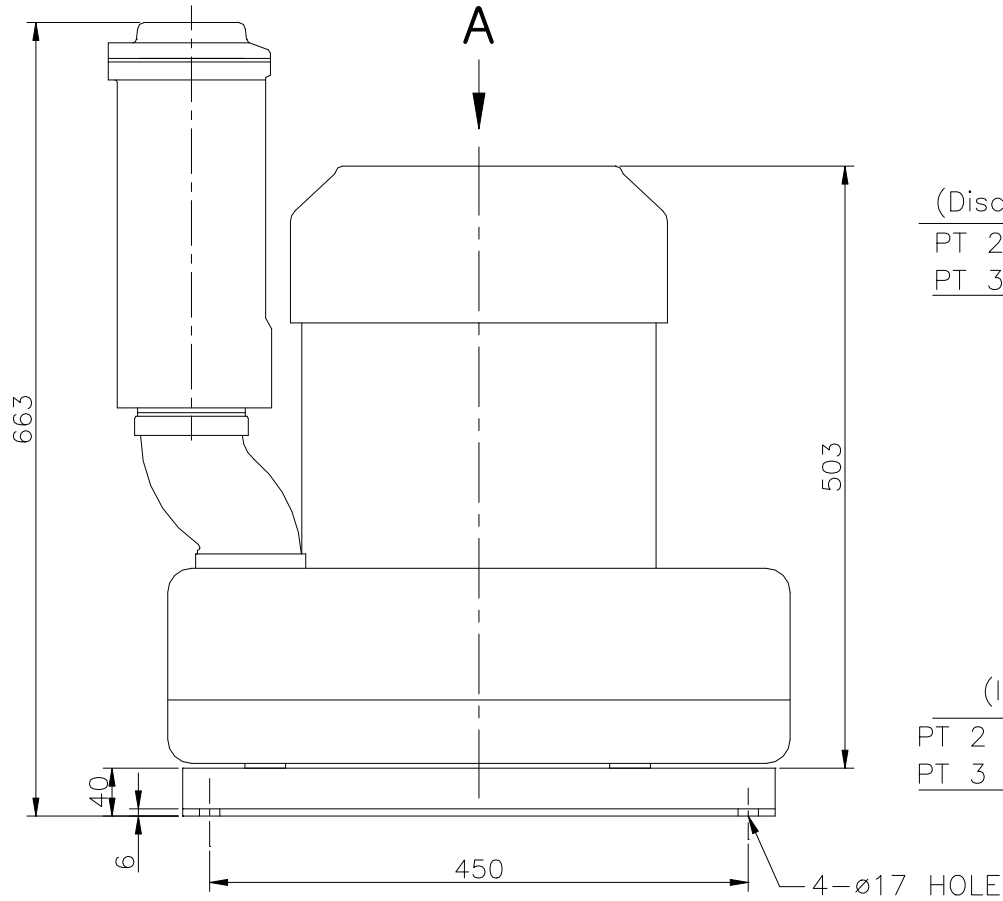
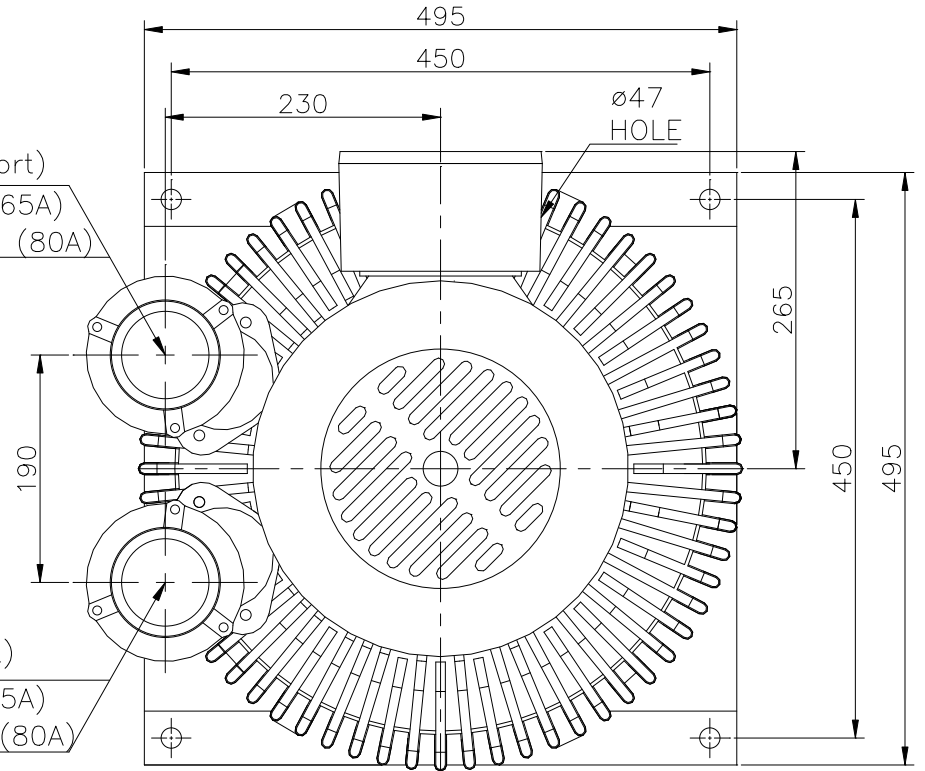


NOTE 1)



??
(Discharge port)
PT 2 1/2" (65A)
PT 3 OPTION (80A)

??
(Inlet port)
PT 2 1/2" (65A)
PT 3 OPTION (80A)



View A

△		00			Date	Draw	Check	Appr.
No.	Revision				Date	Draw	Check	Appr.
형식 TYPE	HRBV-1000			도명 TITLE	OUTWARD DWG.			
DRAWN	DESIGN	CHECKED	APPROVED	3RD ANGLE	SCALE:1/1	UNIT:mm		
B.S.Kim				SIZE	3 ϕ 2P 12.6Kw			
13.05.08								
黃海電機 HWANG HAE ELECTRIC				도번 DWG. No.	BOD00302			

