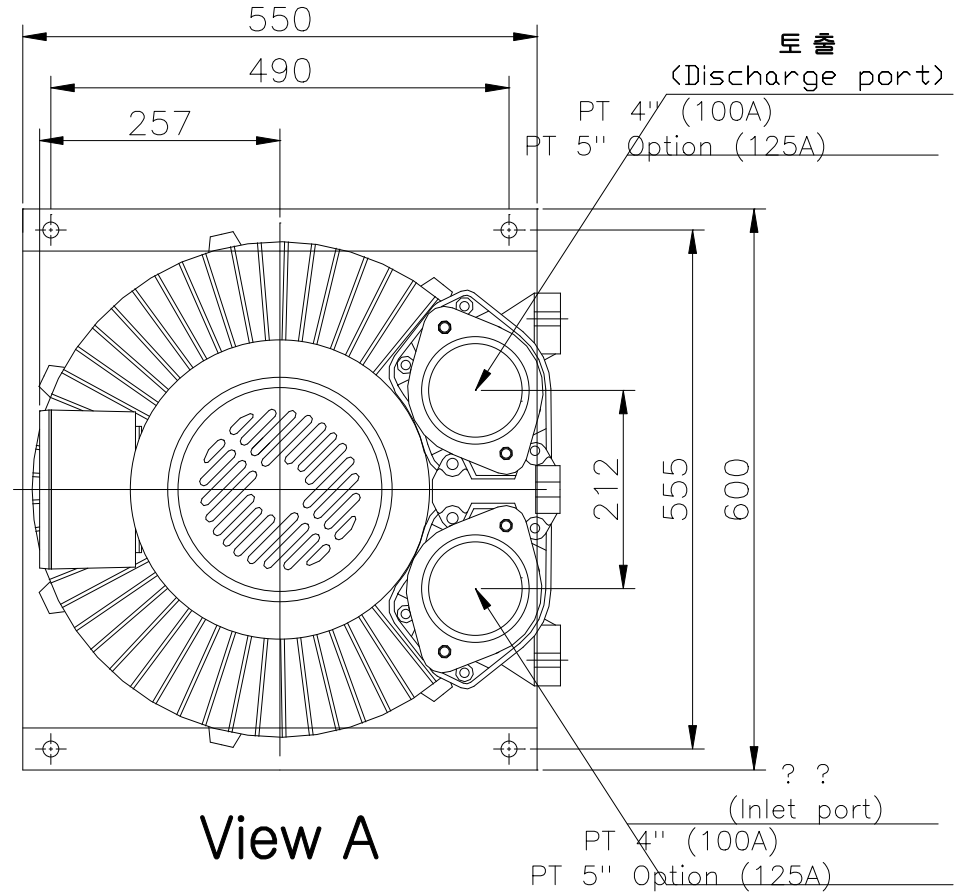
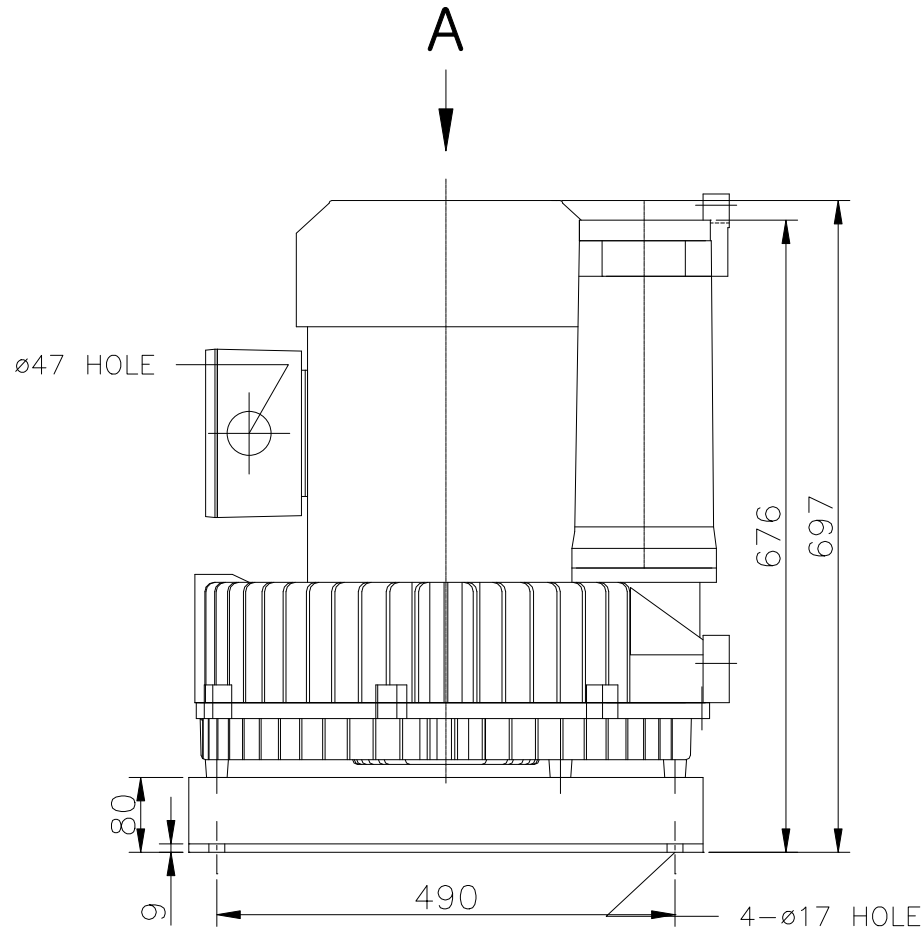


NOTE 1)

No.	PART NAME	MATERIAL	Qt'y	SIZE	REMARK
01					



View A

No.		Revision		Date		Draw	Check	Appr.
				00				
형식 TYPE	HRBV-1200			도명 TITLE	OUTWARD DWG.			
DRAWN	DESIGN	CHECKED	APPROVED	3RD ANGLE	SCALE:1/1	UNIT:mm		
B.S.Kim				SIZE	3Ø 2P 15.3Kw			
13.05.08								
黃海電機 HWANG HAE ELECTRIC				도번 DWG. No.	BOD00304			

