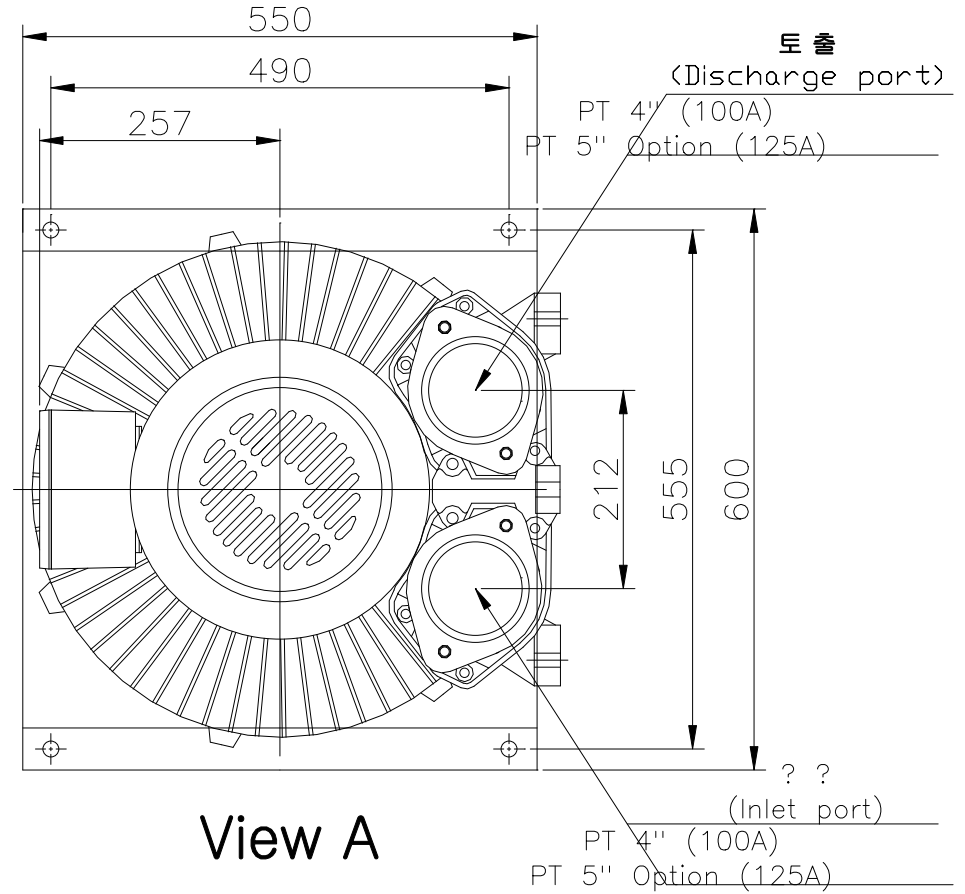
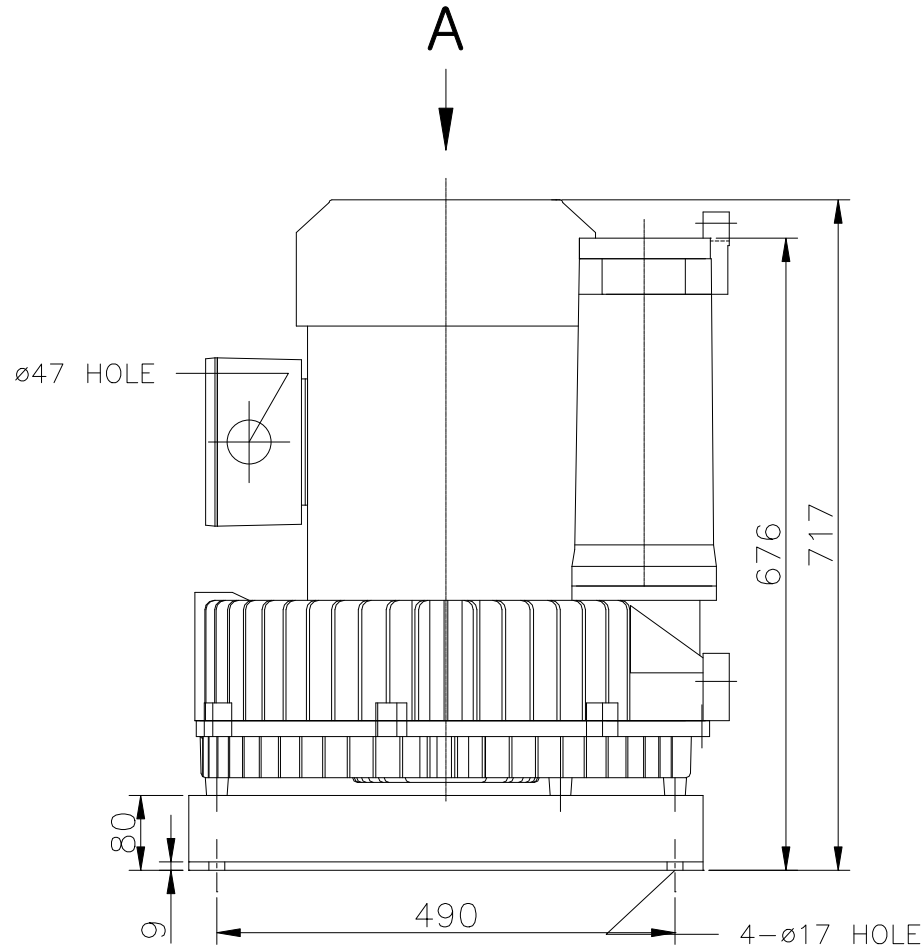


NOTE 1)

| No. | PART NAME | MATERIAL | Qt'y | SIZE | REMARK |
|-----|-----------|----------|------|------|--------|
| 01 | | | | | |



View A

| | | | | | | | | |
|----------------------------|-----------|---------|-------------|----------------|--------------------|---------|-------|-------|
| △ | | 00 | | | Date | Draw | Check | Appr. |
| No. | Revision | | | | Date | Draw | Check | Appr. |
| 형식 TYPE | HRBV-1300 | | 도명 TITLE | OUTWARD DWG. | | | | |
| DRAWN | DESIGN | CHECKED | APPROVED | 3RD ANGLE | SCALE:1/1 | UNIT:mm | | |
| B.S.Kim | | | | SIZE | 3 ϕ 2P 22.7Kw | | | |
| 11.08.18 | | | | | | | | |
| 黃海電機 HWANG HAE ELECTRIC | | | | 도번 DWG. No. | BOD00203 | | | |

