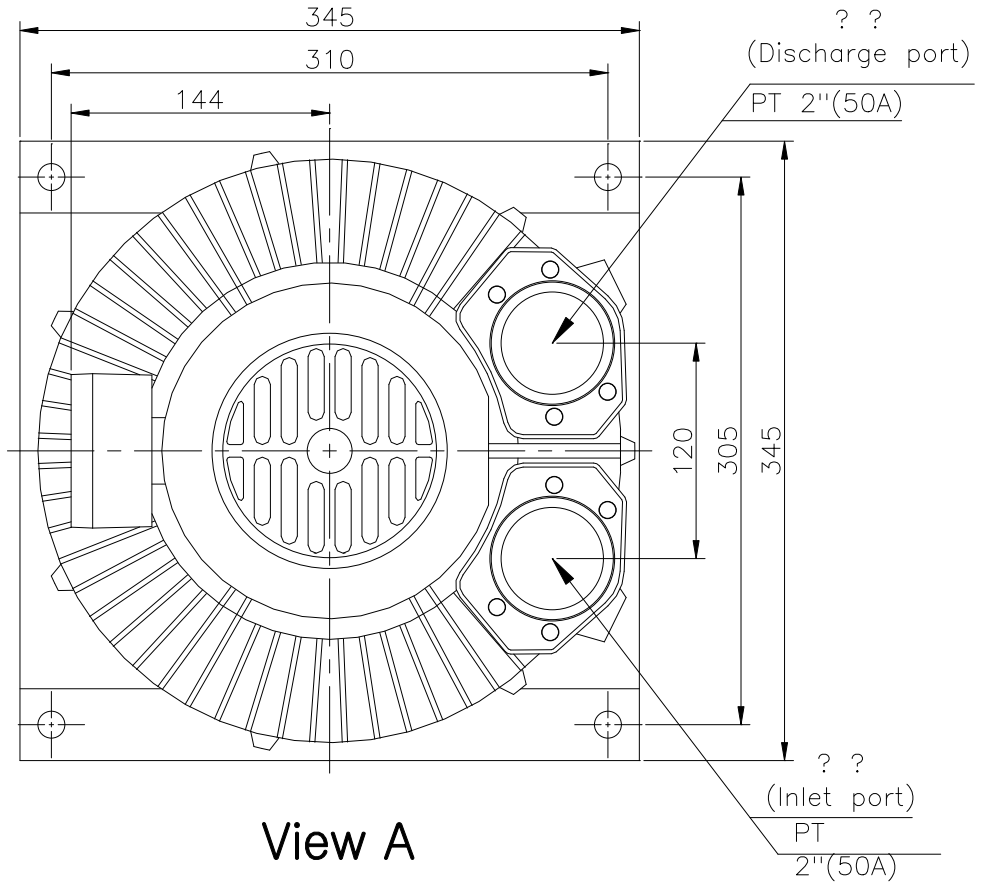
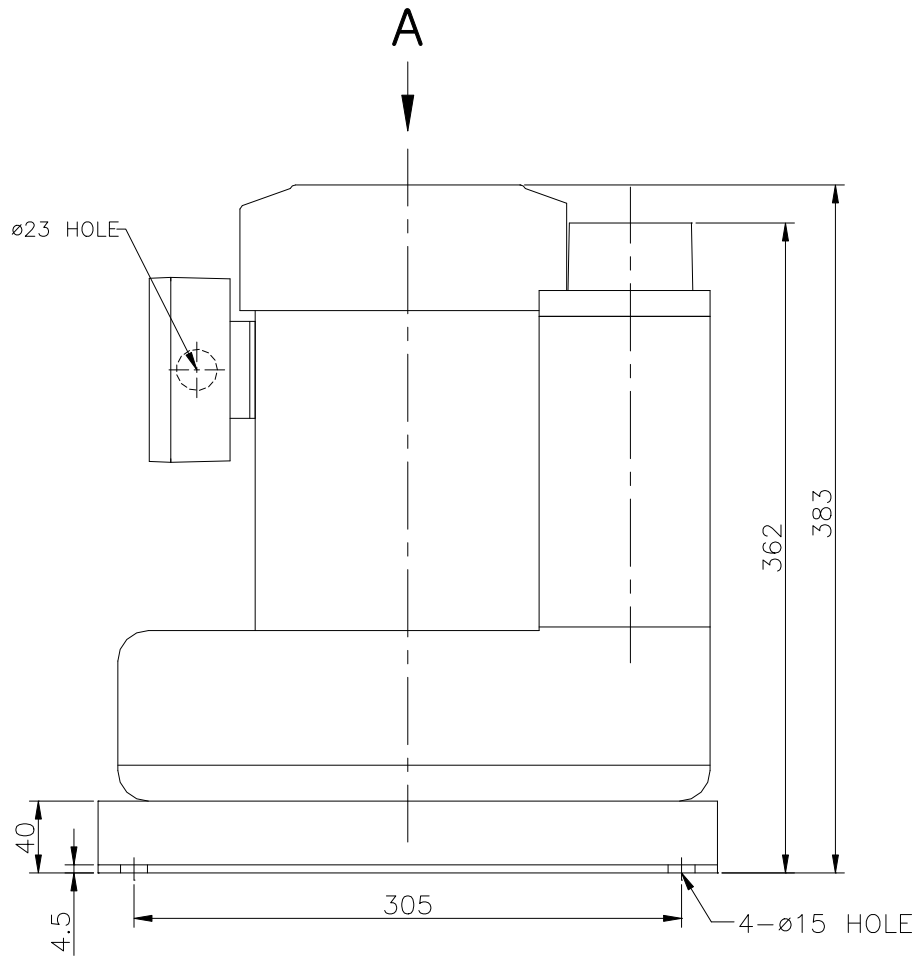


NOTE 1)

No.	PART NAME	MATERIAL	Qt'y	SIZE	REMARK
01					



View A

△		Revision		00		Date	Draw	Check	Appr.
No.	HRBV-400			도명	OUTWARD DWG.				
형식 TYPE				TITLE					
DRAWN	DESIGN	CHECKED	APPROVED	3RD ANGLE	SCALE:1/1	UNIT:mm			
B.S.Kim				SIZE	3 ϕ 2P 2.55Kw				
10.12.24									
黃海電機 HWANG HAE ELECTRIC				도번	BOD00178				
				DWG. No.					

