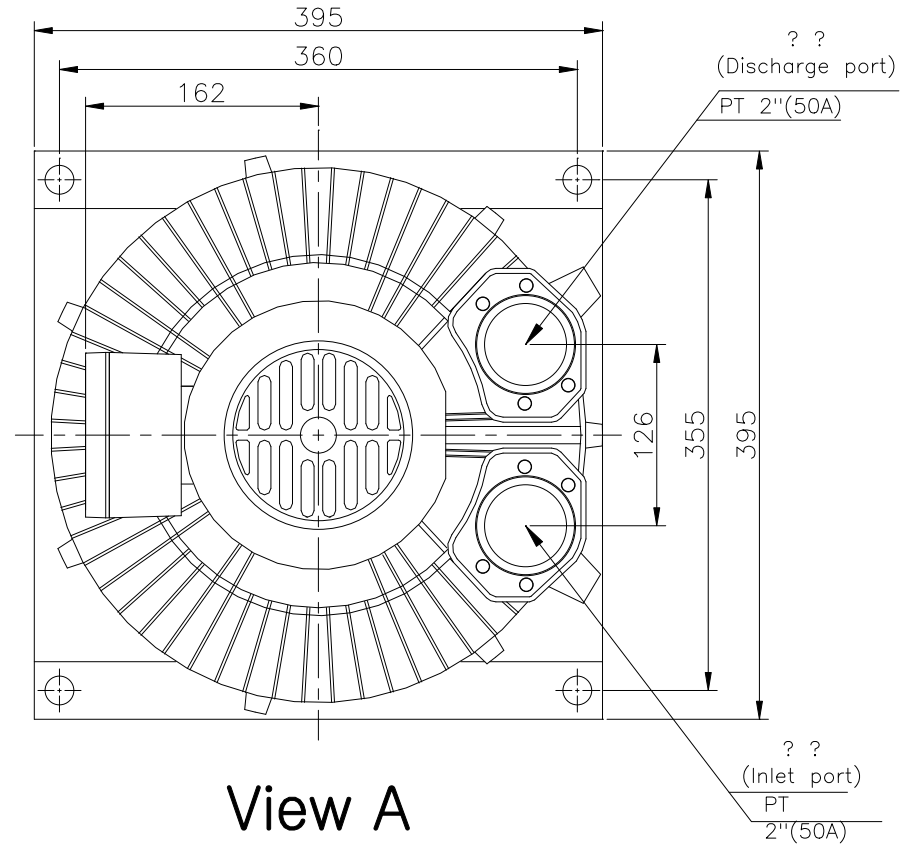
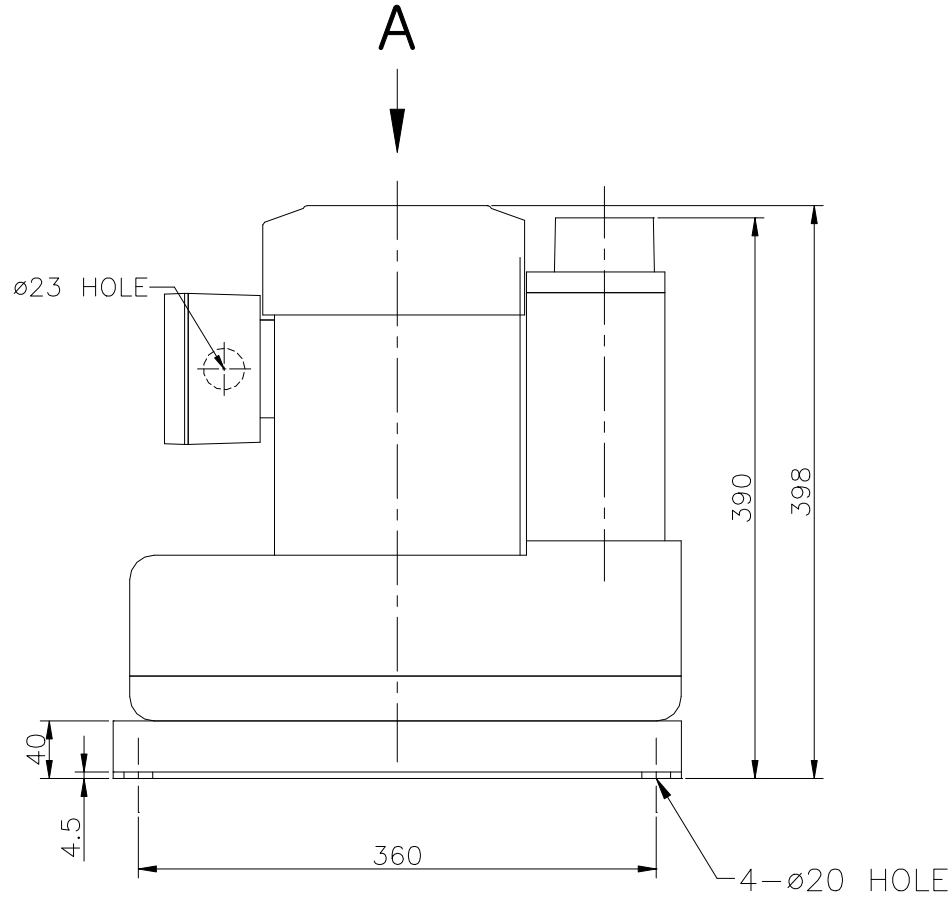


NOTE 1)

No.	PART NAME	MATERIAL	Qt'y	SIZE	REMARK
01					



View A

00							
No.	Revision			Date	Draw	Check	Appr.
형식 TYPE	HRBV-500		도명 TITLE	OUTWARD DWG.			
DRAWN	DESIGN	CHECKED	APPROVED	3RD ANGLE	SCALE:1/1	UNIT:mm	
B.S.Kim				SIZE	3 ϕ 2P 2.55Kw		
13.05.08							
黃海電機 HWANG HAE ELECTRIC				도번 DWG. No.	BOD00299		

