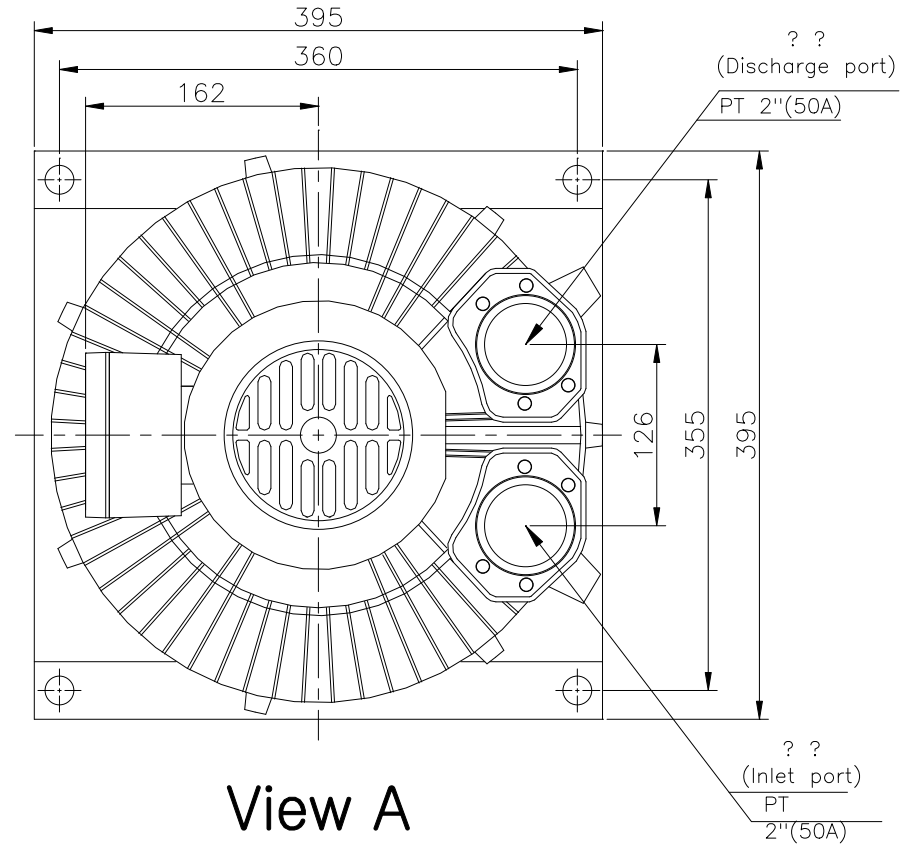
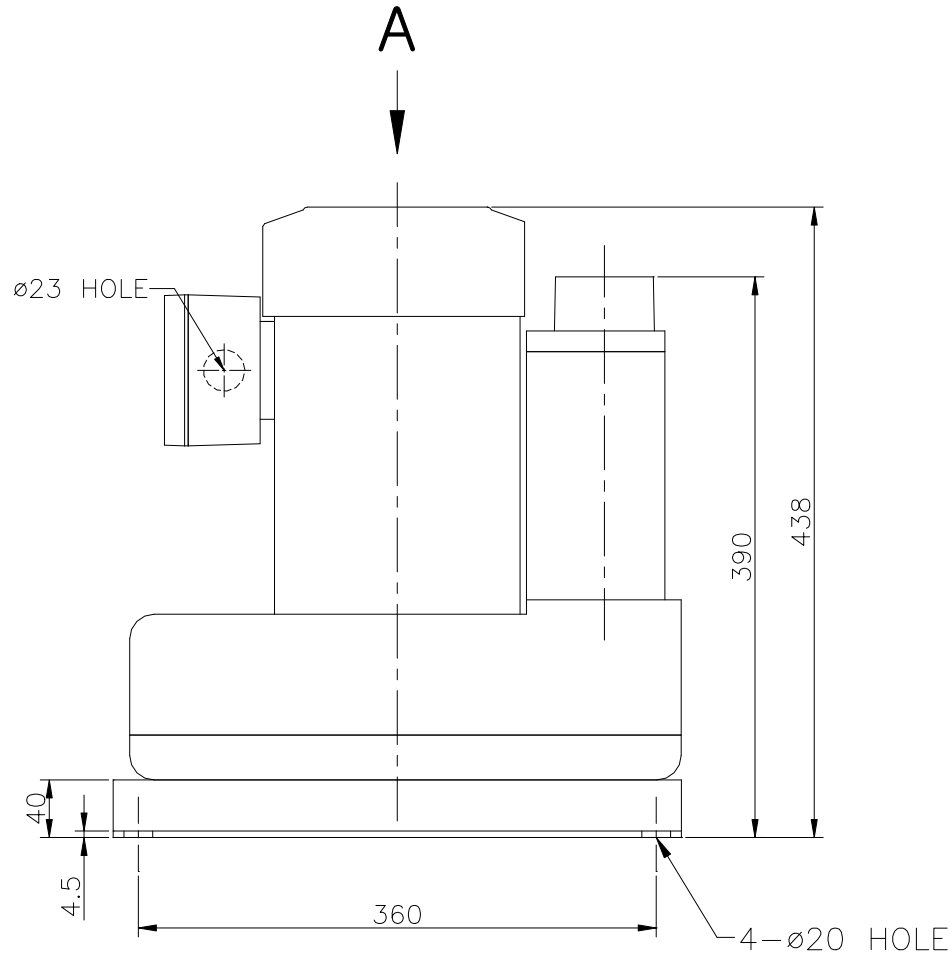


NOTE 1)

No.	PART NAME	MATERIAL	Qt'y	SIZE	REMARK
01					



View A

00									
No.	Revision				Date	Draw	Check	Appr.	
형식 TYPE	HRBV-700			도명 TITLE	OUTWARD DWG.				
DRAWN	DESIGN	CHECKED	APPROVED	3RD ANGLE	SCALE:1/1	UNIT:mm			
B.S.Kim				SIZE	3 $\phi$ 2P 4.6Kw				
11.11.10									
黃海電機 HWANG HAE ELECTRIC				도번 DWG. No.	BOD00213				

