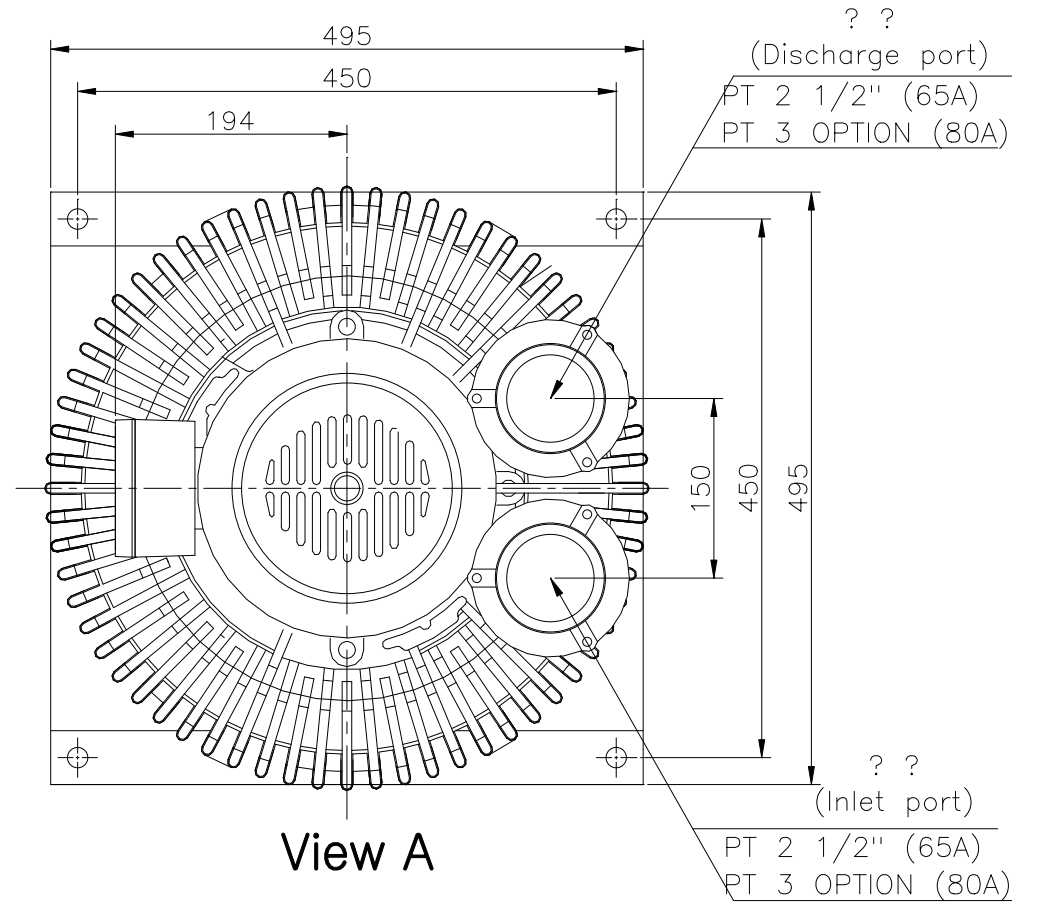
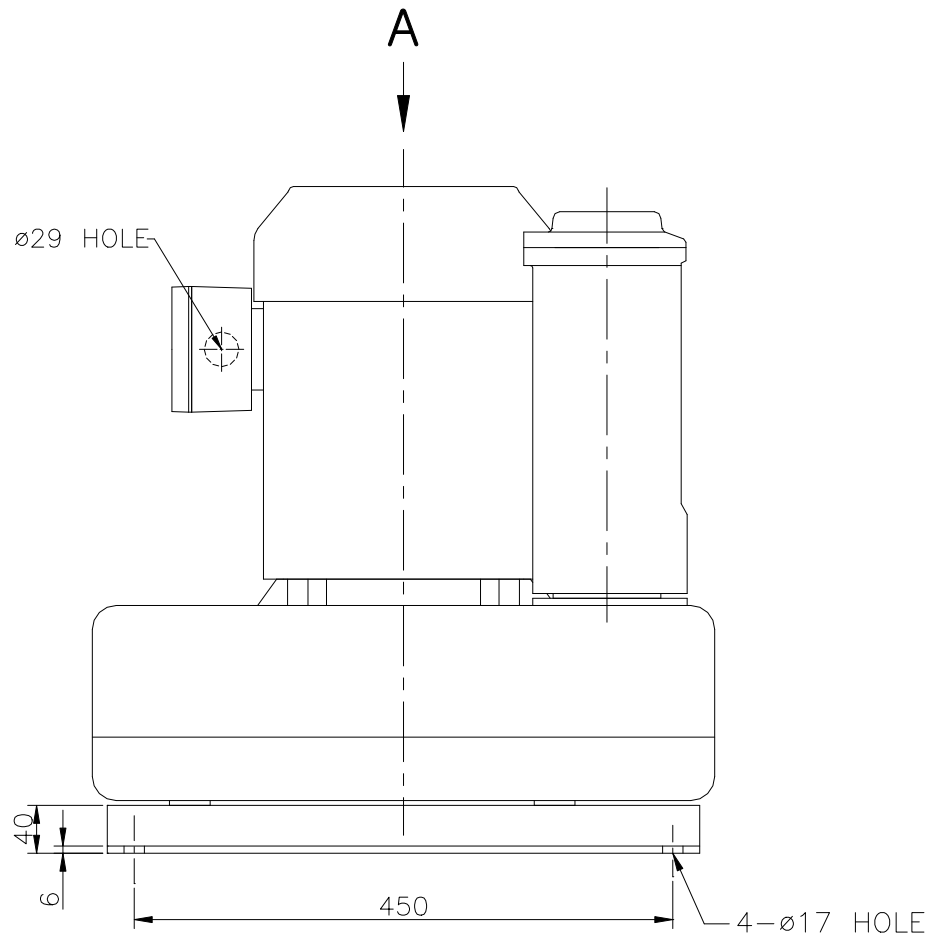


NOTE 1)



View A

△		00						
No.	Revision			Date	Draw	Check	Appr.	
형식 TYPE	HRBV-800			도명 TITLE	OUTWARD DWG.			
DRAWN	DESIGN	CHECKED	APPROVED	3RD ANGLE	SCALE:1/1	UNIT:mm		
B.S.Kim				SIZE	3 ϕ 2P 6.3Kw			
11.11.10				도번 DWG. No.	BOD00214			
黃海電機 HWANG HAE ELECTRIC								

