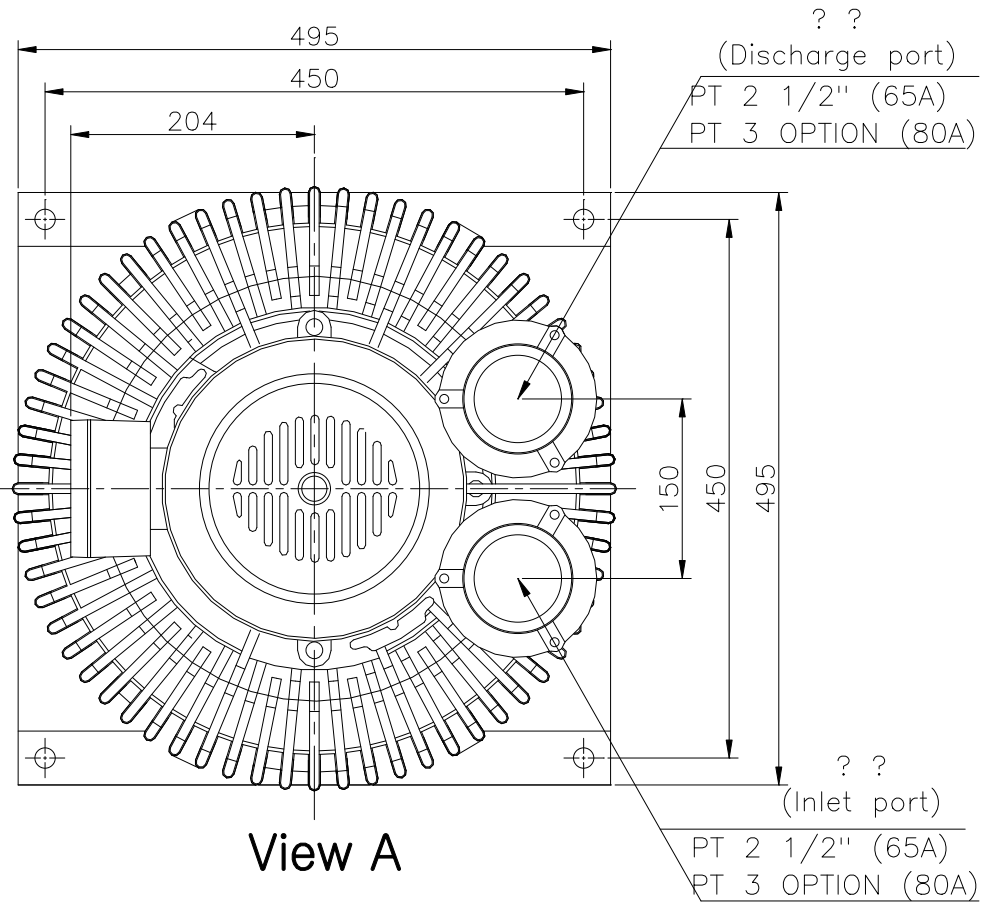
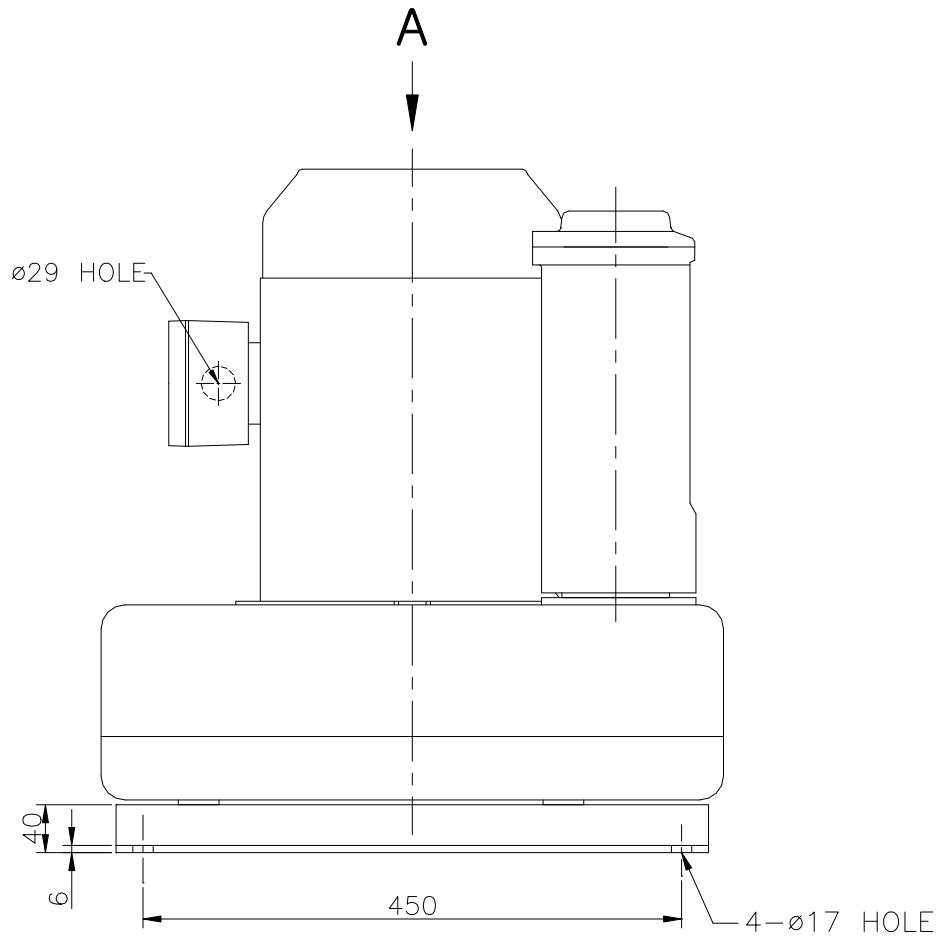


NOTE 1)



View A

△		00			Date	Draw	Check	Appr.
No.	Revision				Date	Draw	Check	Appr.
형식 TYPE	HRBV-900			도명 TITLE	OUTWARD DWG.			
DRAWN	DESIGN	CHECKED	APPROVED	3RD ANGLE	SCALE:1/1	UNIT:mm		
B.S.Kim				SIZE	3Ø 2P 8.6Kw			
13.05.08								
黃海電機 HWANG HAE ELECTRIC				도번 DWG. No.	BOD00301			

